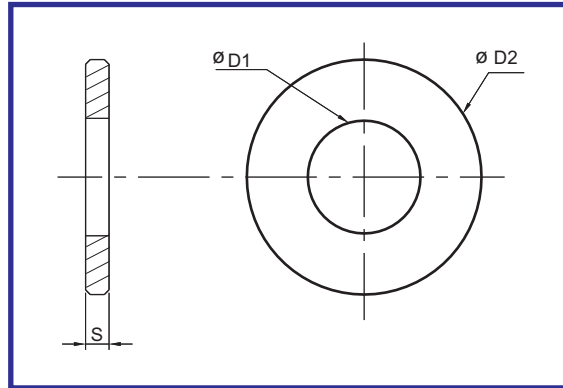


► Washer

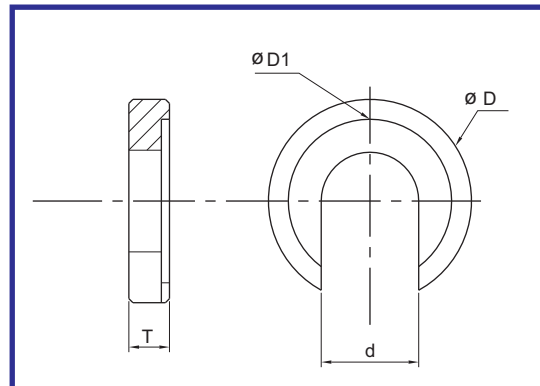


Material :- En8d
Surface Treatment :- Blackodised

Code	Bolt Size	D1	D2	S
Washer M8	M8	8.4	23	4
Washer M10	M10	10.5	28	4
Washer M12	M12	13	35	5
Washer M16	M16	17	45	6
Washer M20	M20	21	50	6
Washer M24	M24	25	60	8

Order Type :- Code
Example :- Washer M12

► C Washer



Material :- En8d
Surface Treatment :- Blackodised

Code	Bolt Size	D	d	D1	T	L
C-Washer M8	M8	28	8.4	21	7	1.0
C-Washer M10	M10	34	10.5	25	8	1.2
C-Washer M12	M12	40	13	30	9	1.8
C-Washer M16	M16	56	17	37	12	1.8
C-Washer M20	M20	64	21	45	14	2.0
C-Washer M24	M24	75	25	52	16	2.0

Order Type :- Code
Example :- C-Washer M12